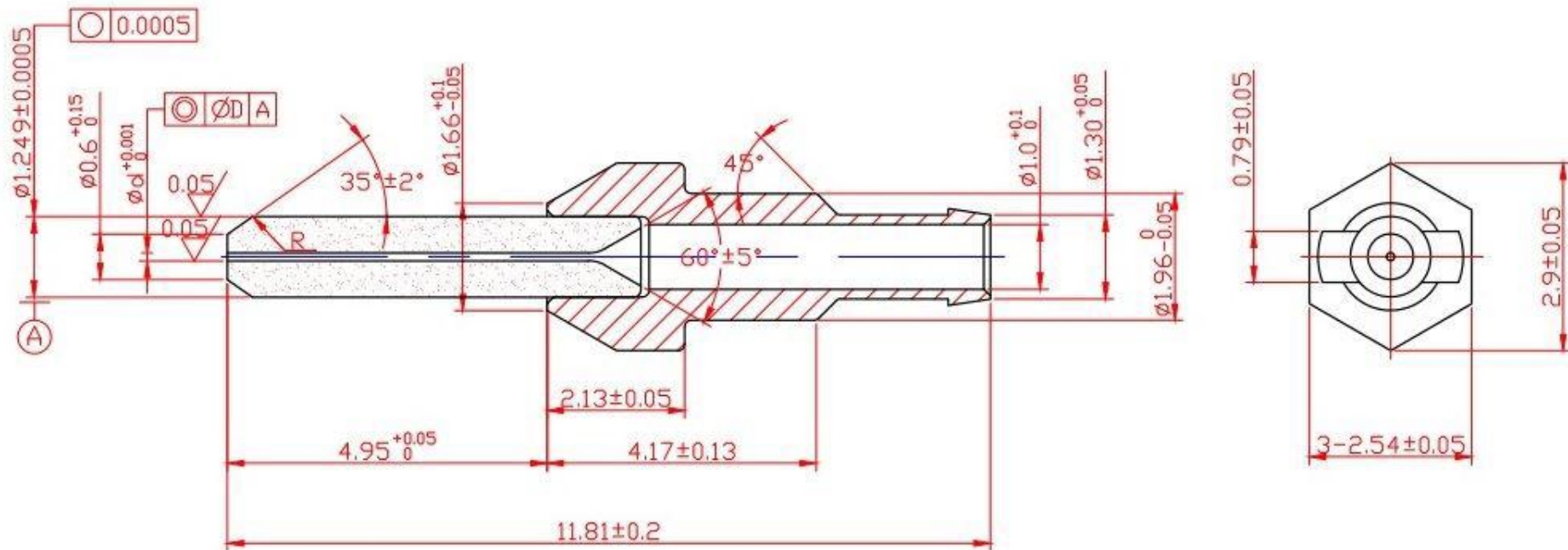


编号:

| | | | |
|--------|--------------------------|--------|--------------------------|
| d | √ | D | √ |
| 0.1250 | <input type="checkbox"/> | 0.0005 | <input type="checkbox"/> |
| 0.1255 | <input type="checkbox"/> | 0.0010 | <input type="checkbox"/> |
| 0.1260 | <input type="checkbox"/> | 0.0014 | <input type="checkbox"/> |



| | | |
|-----|-------------------------------------|--------------------------|
| NO. | 金属尾座材质 Flange Material | √ |
| 1 | C3604铜镍镍 C3604 Brass with nickel | <input type="checkbox"/> |
| 2 | SUS303 | <input type="checkbox"/> |

| 陶瓷插芯的环境关联物质含量要求 Hazardous Substance comply with RoHS Requirement | | | |
|---|---------------|----------------------|-----------|
| 有害物质名称 Hazardous Substance | 陶瓷 Ceramic | 金属尾座 Metal Flange | |
| | | 不锈钢 Stainless | 铜 Cu |
| 铅/Pb | <100ppm | <100ppm | <30000ppm |
| 镉/Cd | <5ppm | <5ppm | <50ppm |
| 汞/Hg | <100ppm | <100ppm | <100ppm |
| 六价铬/Cr+6 | <100ppm | <100ppm | <100ppm |
| 多溴联苯 /PBB | N.D | | |
| 多溴联苯醚 /PBDE | N.D | | |

| | | | | | | |
|-------------------------------------|---|-------|------------|---------|------|----|
| LC单模带座 LC/SM ferrule with flange | | NO. | LC UPC | | | |
| 陶瓷插芯 ZIRCONIA FERRULE | | QTY | WEIGHT | SCALE | UNIT | |
| | | | | | 10:1 | mm |
| | | SHEET | | TOTAL:1 | | |
| | | OF:1 | | | | |
| 材质 Material | 氧化锆陶瓷+金属尾座 Zirconia Ceramic + Flange | | Hicorpwell | | | |